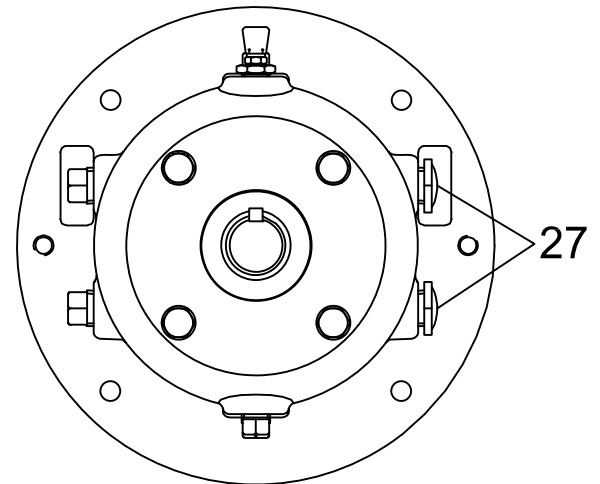
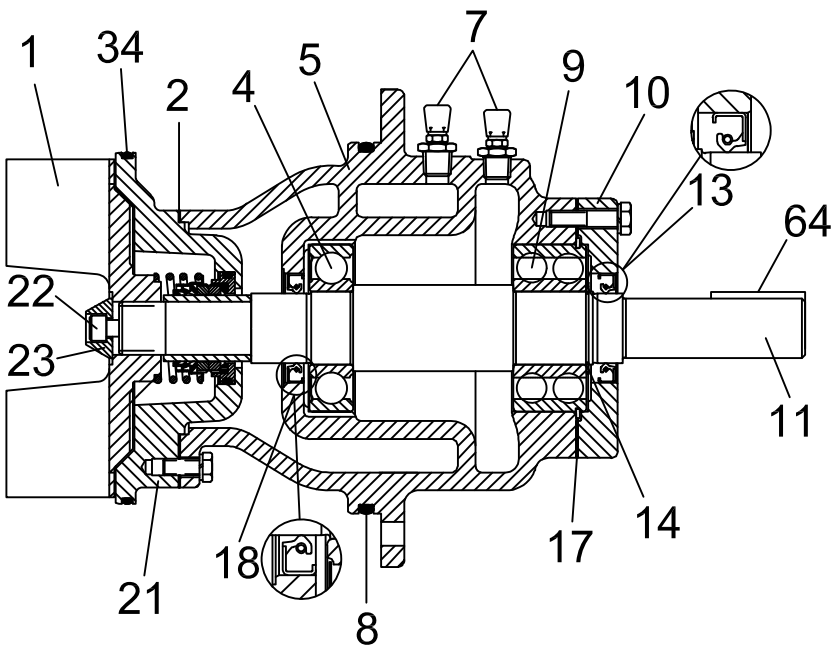
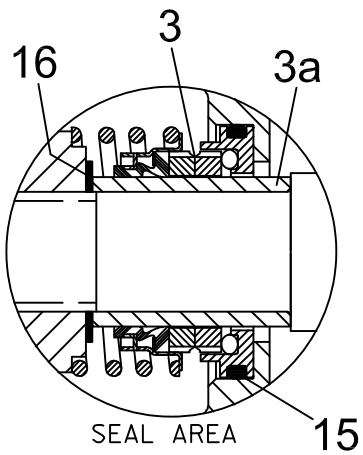
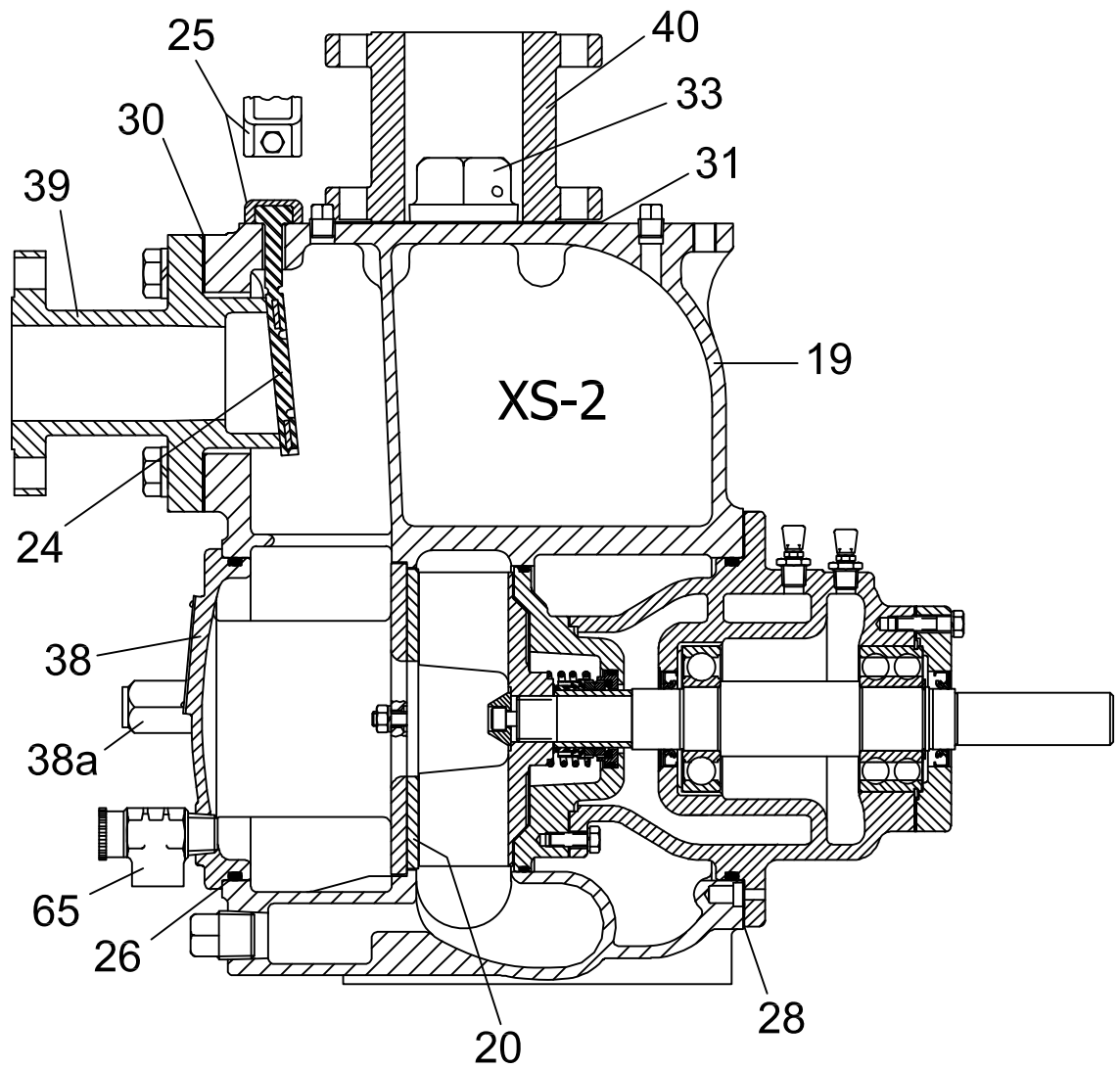


XS-2 Parts



XS-2 Parts



ALL PRIME PUMPS
p. 800-803-0353

<i>item</i>	<i>description</i>	<i>AP part no.</i>	<i>GR part no.</i>	<i>qty</i>
1*	impeller XS2 - D/I(std)	210.010.100	38615-093-11010	1
1*	impeller XS2 - CD4	210.010.104	38615-093-1718H	1
2*	gasket, seal plate XS2	210.010.200	38687-556-20000	1
3*	seal, mech. (cart.w/sleeve)	210.010.310	46512-159	1
4*	bearing, I/B - XS2	210.011.300	23276-008	1
5	housing, bearing XS2 - C/I(std)	210.010.400	38251-208-1000	1
7	vent, air	210.010.600	S1530 w/bushing	2
8*	o-ring - Buna	210.011.600	25152-363	1
8*	o-ring - Viton	210.011.601	25154-363	1
9*	bearing, O/B - XS2	210.012.300	23422-408	1
10	cap, bearing, XS2 - C/I(std)	210.010.900	38322-221-1000	1
11	shaft XS2 - std	210.011.100	38514-565-16040	1
11	shaft XS2 - SS	210.011.120	38514-565-1706H	1
13*	oil seal O/B - Nitrile	210.011.200	25258-344	1
14	retaining ring, bearing	210.012.100	S248	1
15*	o-ring - Buna	210.012.500	25152-020	1
15*	o-ring - Viton	210.012.501	25154-020	1
16*	shims, impeller	210.011.500	2X-17090	1
17*	gasket, bearing cap, S2,XS2,S3,XS3	311.012.000	38683-268-18000	1
18*	oil seal I/B - Nitrile	210.011.200	25258-344	1
19	casing XS2 - C/I(std)	210.030.000	38224-418-10000	1
20*	wear plate XS2 - std	210.210.000	46451-370-24150	1
20*	wear plate XS2 - CD4	210.210.004	46451-370-17180	1
21	seal plate XS2 - C/I(std)	210.011.900	38272-119-10000	1
21	seal plate XS2 - CD4	210.011.904	38272-119-1718H	1
22	screw, impeller - std	210.011.700	DM0503-15991	1
22	screw, impeller - SS	210.011.701	DM0503-17040	1
23	washer, impeller XS2 - std	210.011.800	31167-025-15000	1
23	washer, impeller XS2 - SS	210.011.801	31167-025-17040	1
24*	check valve XS2 - STD	210.120.000	46411-132-24010	1
24*	check valve XS2 - Viton	210.120.001	46411-133-24010	1
25	cover, check valve XS2	210.100.000	38346-617-17070	1
26*	o-ring - Buna	210.011.600	25152-363	1
26*	o-ring - Viton	210.011.601	25154-363	1
27	sight gauge	210.011.400	26714-011	2
28	RA adjustment shims	210.011.510	48261-058	ref
30*	gasket, suction flg. XS2	210.090.000	38683-273-19370	1
31*	gasket, disch. flg. XS2	310.040.000	25113-031	1
33	fill plug	210.300.000	48271-068	1
34*	o-ring - Buna	210.012.600	25152-259	1
34*	o-ring - Viton	210.012.601	25154-259	1
38	cover plate (clean-out) XS2 - C/I(std)	210.130.000	42111-807	1
38a	nut, cover plate	210.130.100	31871-075-15000	2
39	spool, suction XS2 - C/I(std)	210.110.000	38642-009-10000	1
40	spool, discharge XS2 - C/I(std)	210.070.000	38642-008-10000	1
64	key, shaft	312.011.205	N0408-15990	1
65	pressure relief valve, bronze	310.010.500	26662-005	1

Notes:

1. parts are FOB Jacksonville, FL
2. * indicates recommended spares

Feb. 2020