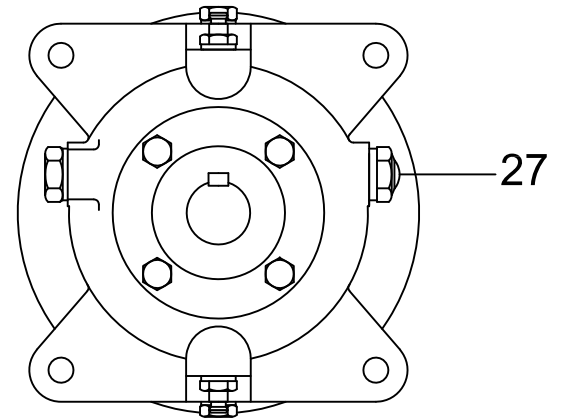
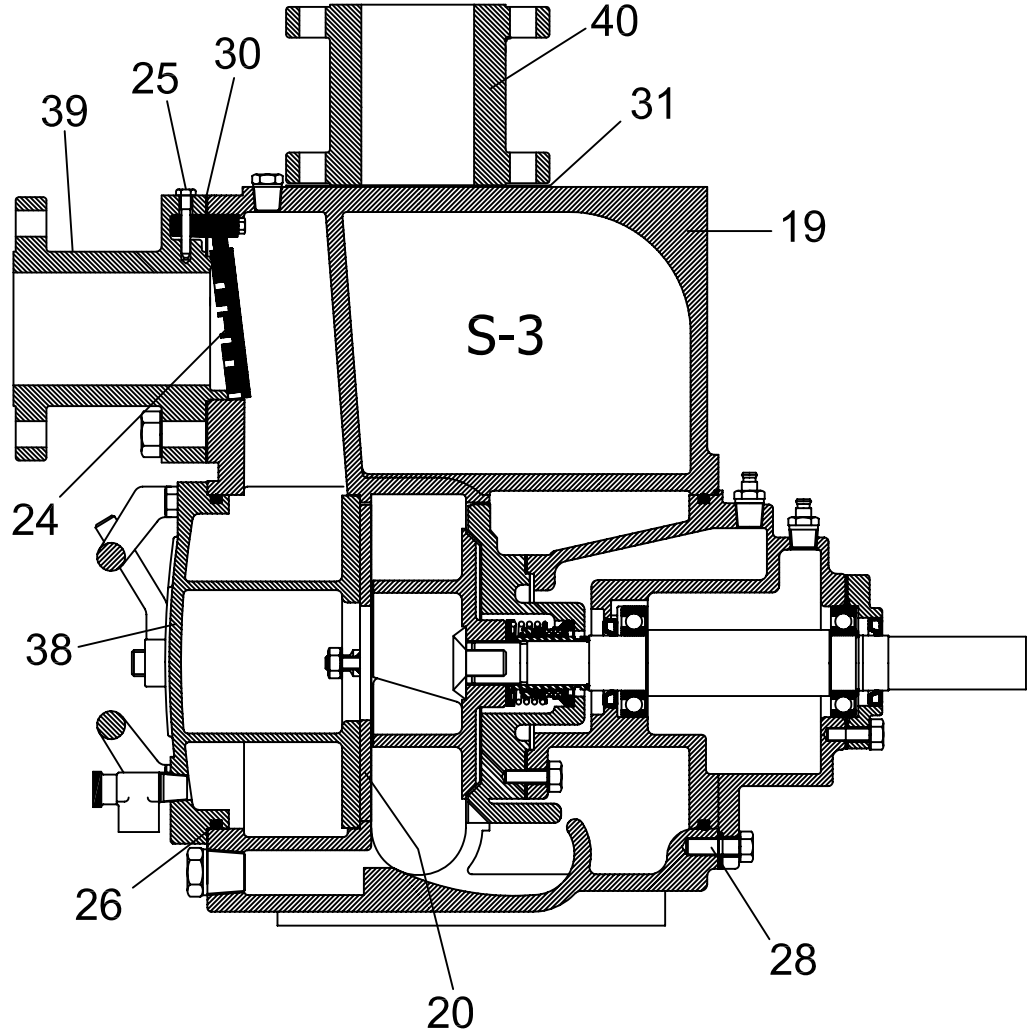
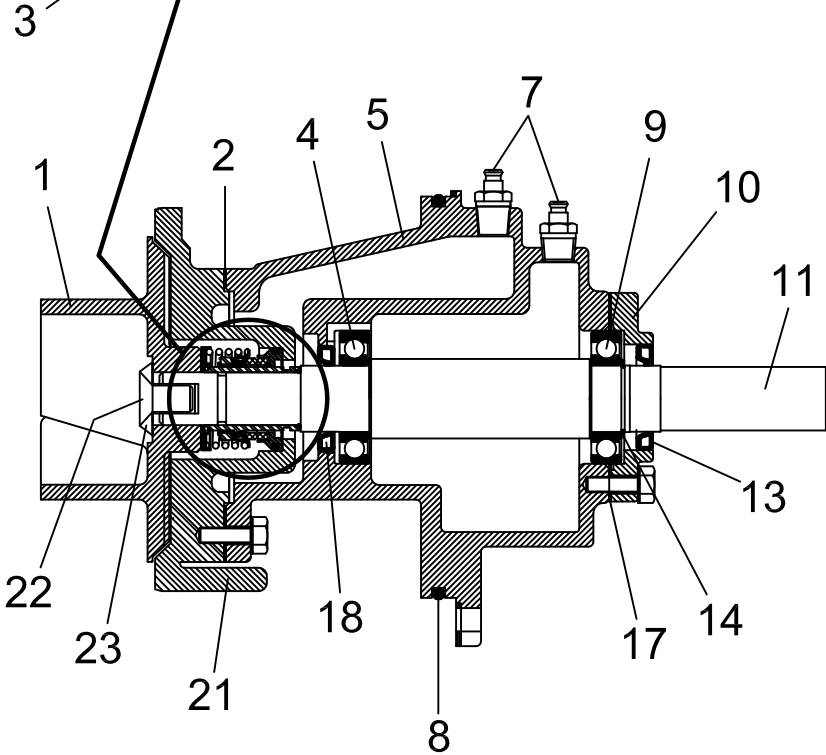
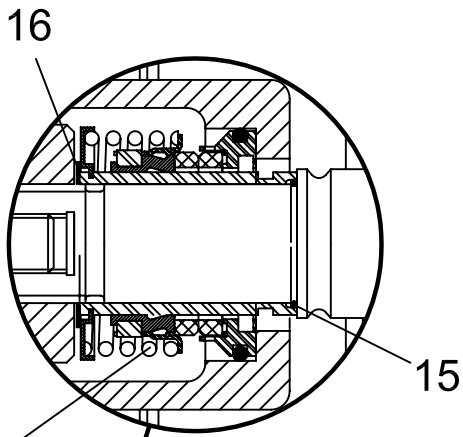
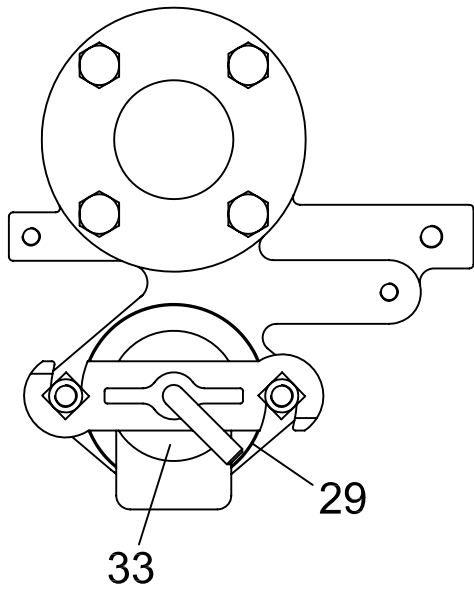


S-3 Parts



S-3 Parts



ALL PRIME PUMPS
p. 800-803-0353

| <i>item</i> | <i>description</i> | <i>AP part no.</i> | <i>GR part no.</i> |
|-------------|--|--------------------|--------------------|
| 1* | impeller S3,XS3 - D/I(std) | 311.010.100 | 11406-11010 |
| 1* | impeller S3,XS3 - CD4 | 311.010.104 | 11406-1718H |
| 2* | gasket, seal plate S346, XS346, I34 | 311.010.200 | 10959G-20000 |
| 3* | seal, mech. - 1.5" (cart.w/sleeve) Δ | 310.010.310 | 46513-151 |
| 3* | seal, mech. - 1.5" (comp.no-sleeve) ▲ | 310.010.300 | 12364A |
| 4* | bearing, I/B - S2,S3,XS3 | 310.011.300 | 23252-013 |
| 5 | housing, bearing S3 - C/I(std) | 311.010.400 | 11399A-10010 |
| 7 | vent, air | 310.010.600 | S1530 w/bushing |
| 8* | o-ring - Buna | 311.011.600 | S1748 |
| 8* | o-ring - Viton | 311.011.601 | 25154-447 |
| 9* | bearing, O/B - S2,S3,XS3 | 310.012.300 | S1749 |
| 10 | cap, bearing, S2,S3,XS3 - C/I(std) | 310.010.900 | 38322-219-10010 |
| 11 | shaft S3 - std (sleeve type) Δ | 311.011.100 | 11398-16040 |
| 11 | shaft S3 - 17-4 (no-sleeve design) ▲ | 311.011.120 | 11398A-1706H |
| 13* | oil seal O/B - Nitrile | 310.011.200 | S1352 |
| 14 | retaining ring, bearing | 310.012.100 | S244 |
| 15 | o-ring - Buna | 310.012.500 | 25152-022 (S2088) |
| 15 | o-ring - Viton | 310.012.501 | 25154-022 |
| 16 | shims, impeller | 310.011.500 | 37J-17090 |
| 17* | gasket, bearing cap, S2,S3,XS3 | 311.012.000 | 38683-268-18000 |
| 18* | oil seal I/B - Nitrile | 310.011.200 | S1352 |
| 19 | casing S3,XS3 - C/I(std) | 311.030.000 | 11405B-10010 |
| 20* | wear plate S3,XS3 - std | 311.210.000 | 11407A-15990 |
| 20* | wear plate S3,XS3 - CD4 | 311.210.004 | 11407A-1718H |
| 21 | seal plate S3,XS3 - C/I(std) | 311.011.900 | 11837D-10010 |
| 21 | seal plate S3,XS3 - CD4 | 311.011.804 | 11837D-1718H |
| 22 | screw, impeller - std | 310.011.700 | F1004S-1500G |
| 22 | screw, impeller - SS | 310.011.701 | F1004S-1704G |
| 23 | washer, impeller - std | 310.011.800 | 31167-029-16000 |
| 23 | washer, impeller - SS | 310.011.801 | 31167-029-1706H |
| 24* | check valve S3,XS3,I3 - STD | 311.120.000 | 46411-060 |
| 24* | check valve S3,XS3,I3 - Viton | 311.120.001 | 46411-100 |
| 25 | pin, check valve S3,XS3,I3 | 311.100.000 | 11557A-17010 |
| 26* | o-ring - Buna | 311.011.600 | S1748 |
| 26* | o-ring - Viton | 311.011.601 | 25154-447 |
| 27 | sight gauge | 310.011.400 | S1471 |
| 28 | screw, rot.ass'y adj. | 310.080.000 | |
| 29* | gasket, fill cover (all but S12) | 310.280.000 | 50G-19210 |
| 30* | gasket, suction flg. S3,XS3,I3 | 311.090.000 | 11412G-19370 |
| 31* | gasket, disch. flg. S3,XS3,I3 | 311.040.000 | 25113-033 |
| 33 | fill cover kit - std (bar,plate,gask,scrw) | 310.350.000 | |
| 38 | cover (clean-out) S3,XS3 - C/I(std) | 311.130.000 | 42111-901 |
| 39 | spool, suction S3,XS3,I3 - C/I(std) | 311.110.000 | 11412A-10010 |
| 40 | spool, discharge S3,XS3,I3 - C/I(std) | 311.070.000 | 10845-10010 |

Notes:

- 1a. p/n 310.010.310 mechanical seal, cartridge - includes sleeve o-ring, impeller shim set & sleeve.
- 1b. p/n 310.010.300 mechanical seal, component - includes sleeve o-ring, impeller shim set & NO sleeve.
- 2. parts are FOB Jacksonville, FL
- 3. * indicates recommended spares