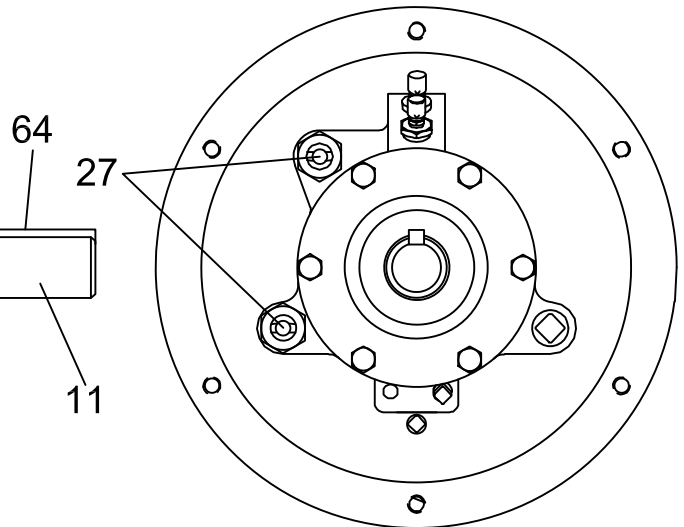
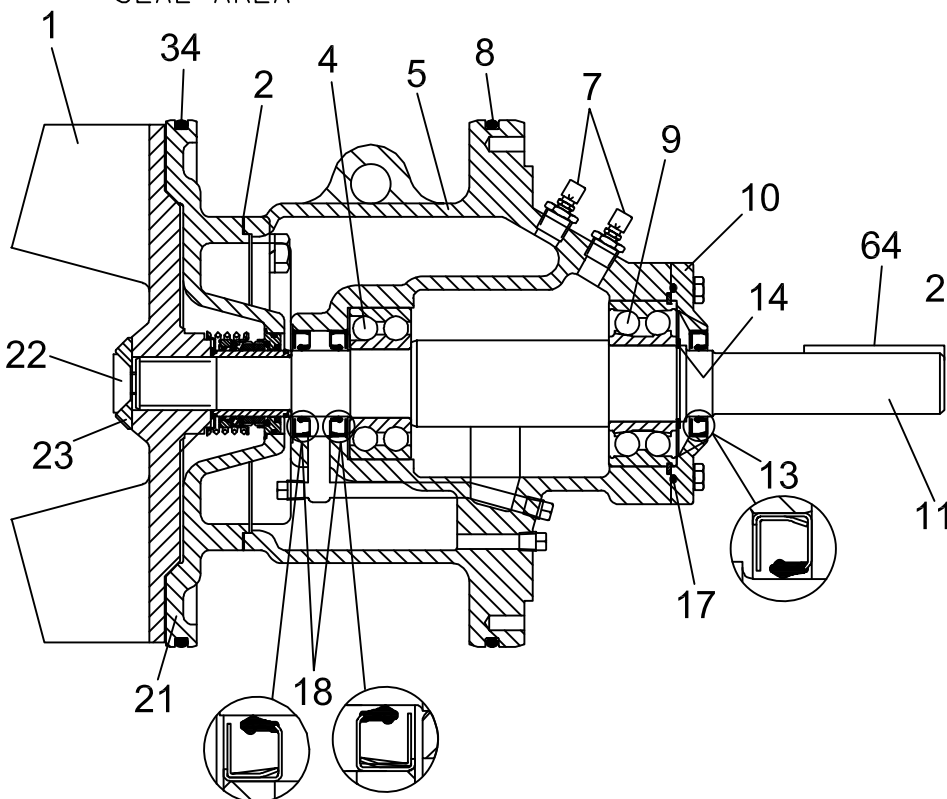
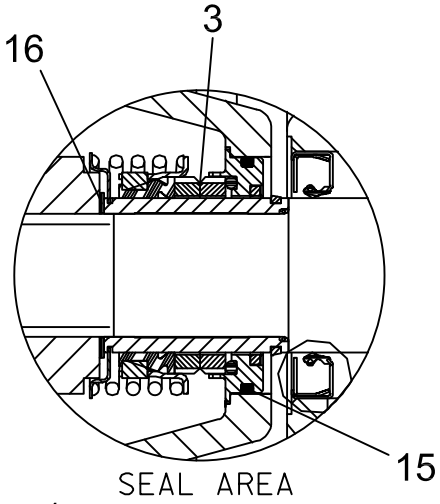
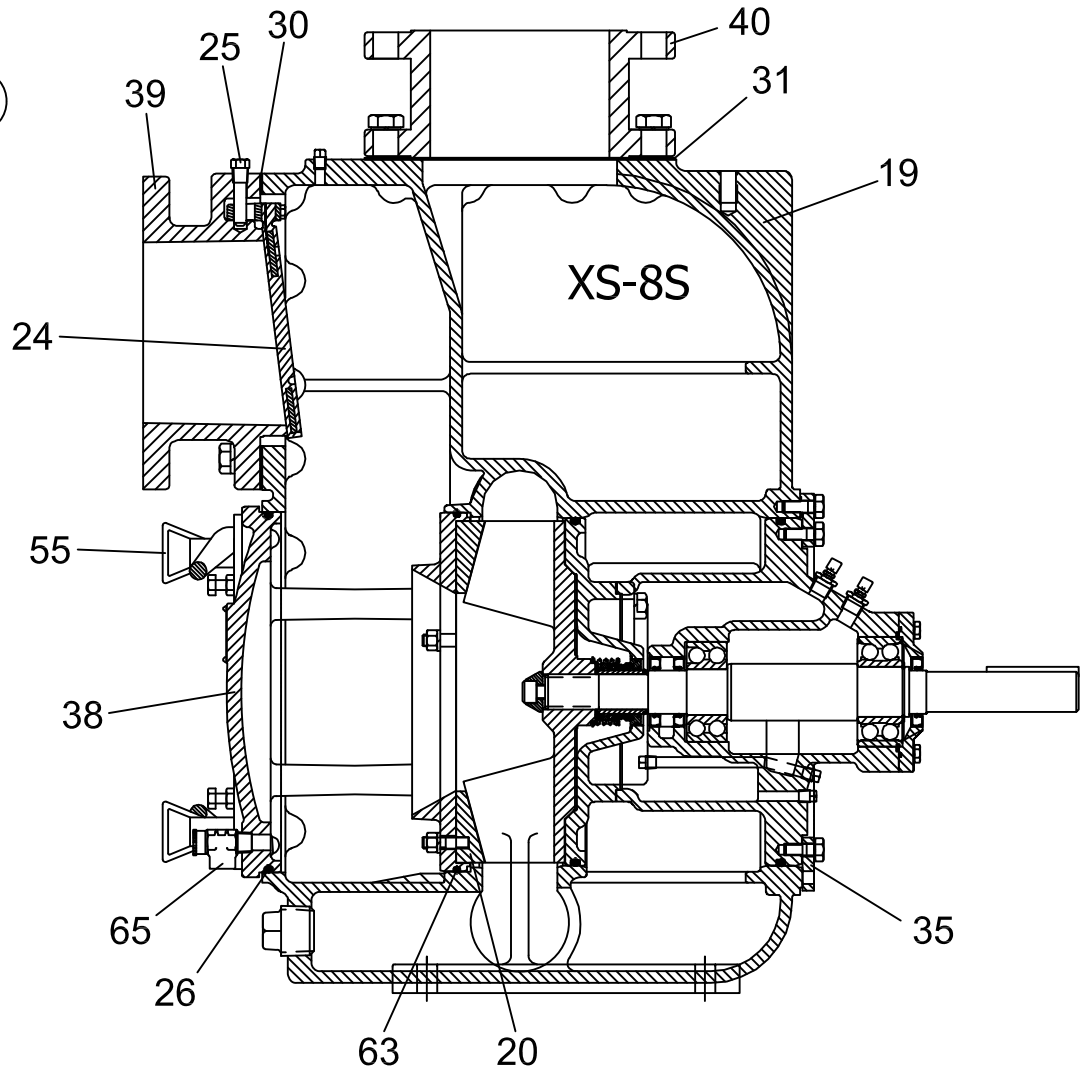
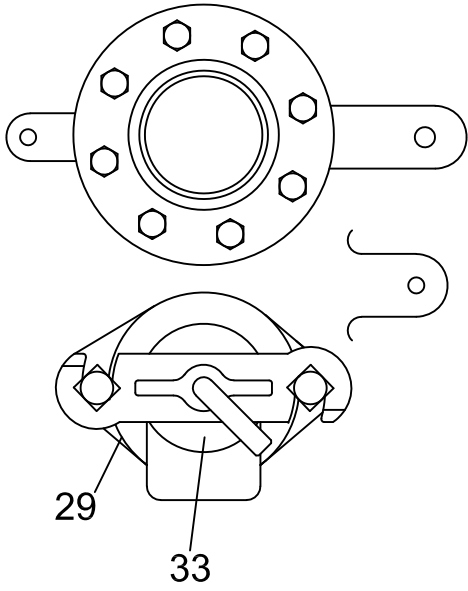


# XS-8S Parts



# XS-8S Parts



**ALL PRIME PUMPS**  
p. 800-803-0353

<i>item</i>	<i>description</i>	<i>AP part no.</i>	<i>GR part no.</i>	<i>qty</i>
1*	impeller S8,XS8,XS8S - DI/STD	314.010.100	12349-11000	1
1*	impeller S8,XS8,XS8S - CD4	314.010.104	12349-1718H	1
2*	gasket, seal plate S8,XS8,XS8S,I6	314.010.200	12350G-20000	1
3*	seal, mech. - 1.88" (cart.w/sleeve) Δ	314.010.310	46513-154	1
3*	seal, mech. - 1.88" (comp.no-sleeve) ▲	314.010.300		1
4*	bearing, I/B - S8,XS8,XS8S,S10,XS10,I6	314.011.300	23421-461	1
5	housing, bearing XS8,XS8S - STD	314.010.450	38251-412-10000	1
7	vent, air	310.010.600	S1530 w/bushing	2
8*	o-ring - Buna	314.011.600	S1914	1
8*	o-ring - Viton	314.011.601	25154-458	1
9*	bearing, O/B - S8,XS8,XS8S,S10,XS10,I6	314.012.300	23422-412	1
10	cap, bearing, S810,XS810,I6 - STD	314.010.900	38322-415-10010	1
11	shaft XS8,XS8S - STD (sleeve type) Δ	314.011.150	38515-587-16000	1
11	shaft XS8,XS8S - 17-4 (no-sleeve type) ▲	314.011.160	38515-588-1706H	1
13*	oil seal O/B - Nitrile	314.011.200	S1917	1
14	retaining ring, bearing	314.012.100	S215	1
15*	o-ring - Buna	314.012.500	25152-026	1
15*	o-ring - Viton	314.012.501	25154-026	1
16*	shims, impeller	314.011.500	5091-17090	1
17*	o-ring - Buna	314.012.000	S333	1
18*	oil seal I/B - Nitrile	314.011.200	S1917	2
19	casing XS-8S - STD	314.030.010		1
20*	wear plate S8,XS8,XS8S - STD	314.210.000	12348A-10010	1
20*	wear plate S8,XS8,XS8S - CD4	314.210.004	12348A-1718H	1
21	seal plate S8,XS8,XS8S - STD	314.011.900	12350-10010	1
21	seal plate S8,XS8,XS8S - CD4	314.011.904	12350-1718H	1
22	screw, impeller - STD	310.011.700	F1004S-1500G	1
22	screw, impeller - SS	310.011.701	F1004S-1704G	1
23	washer, impeller - STD	310.011.800	31167-029-16000	1
23	washer, impeller - SS	310.011.801	31167-029-1706H	1
24*	check valve S8,XS8,XS8S - STD	314.120.000	46411-066	1
24*	check valve S8,XS8,XS8S - Viton	314.120.001	46411-090	1
25	pin, check valve, S8,XS8,XS8S	314.100.000	12357-17010	1
26*	o-ring, (clean-out) O/B - Buna	314.190.000	S1915	1
26*	o-ring, (clean-out) O/B - Viton	314.190.001	25154-459	1
27	sight gauge	310.011.400	S1471	2
29*	gasket, fill cover (all but S12)	310.280.000	50G-19210	1
30*	gasket, suction flg. S8,XS8,XS8S	314.090.000	12356G-19370	1
31	gasket, disch. flg. S8,XS8,XS8S	314.040.000	1759GB-19370	1
33	fill cover kit - STD (bar,plate,gask,scrw)	310.350.000		1
34*	o-ring - Buna	314.011.600	S1914	1
34*	o-ring - Viton	314.011.601	25154-458	1
35	casing ring, S8,XS8,XS8S,S10,XS10 - STD	315.012.600	31281-016-15990	1
38	cover (clean-out) XS-8S - STD	314.130.010		1
39	spool, suction S8,XS8,XS8S - STD	314.110.000	12356-10010	1
40	spool, discharge S8,XS8,XS8S - STD	314.070.000	12799-10010	1
55	back cover wing nut XS-S - STD	310.131.302		4
63*	o-ring, (clean-out) I/B - Buna	313.012.600	25152-384	1
63*	o-ring, (clean-out) I/B - Viton	313.012.601	25154-384	1
64	shaft key	312.011.210	N0616-15990	1
65	pressure releif valve	310.010.500	26662-005	1

**Notes:**

- 1a. p/n 314.010.310 mechanical seal,
- 1b. p/n 314.010.300 mechanical seal,
- 2. parts are FOB Jacksonville, FL
- 3. \* indicates recommended spares

cartridge - includes sleeve o-ring, impeller shim set & sleeve.  
 component - includes sleeve o-ring, impeller shim set & NO sleeve.